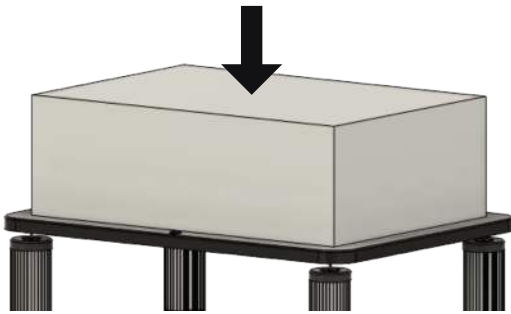


# TOP TABLE LARGE MAX LOAD FOR HYBRID

**Note: maximum weight load on bottom Spikes (spikes closest to the floor) should not exceed 400kg**

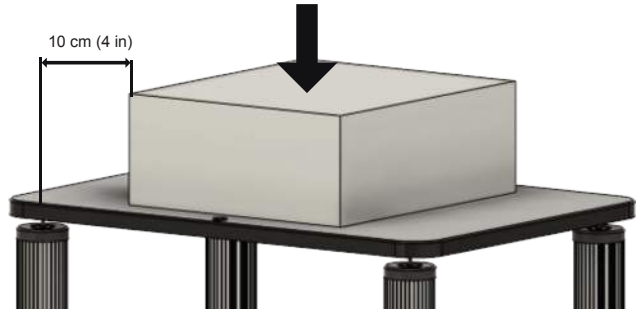
Equipment situated right on top of corner pillars

max load 180 kg (397lb)



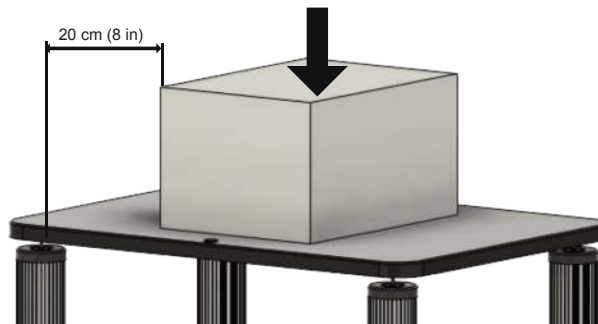
Equipment situated 10 cm (4 in) from corner pillars

max load 100 kg (220lb)



Equipment situated 20 cm (8 in) from corner pillars

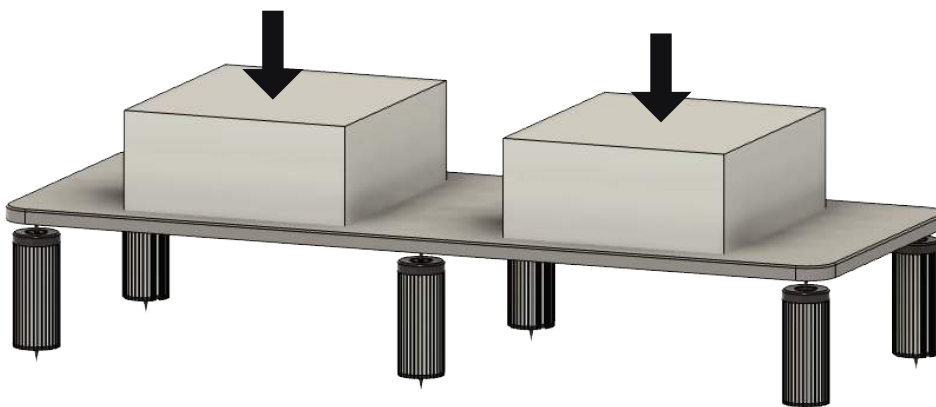
max load 60 kg (132lb)



Hybrid Duo shelf, max load 180kg (397lb) evenly distributed over the shelf surface

max load 80 kg (220lb)

max load 80 kg (220lb)

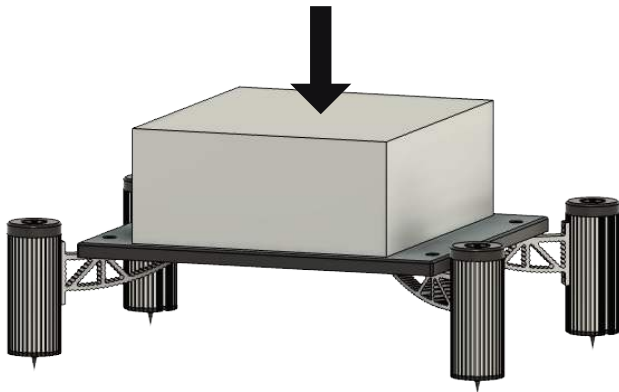


# HYBRID MAX LOAD

**Note: maximum weight load on bottom Spikes (spikes closest to the floor) should not exceed 400kg**

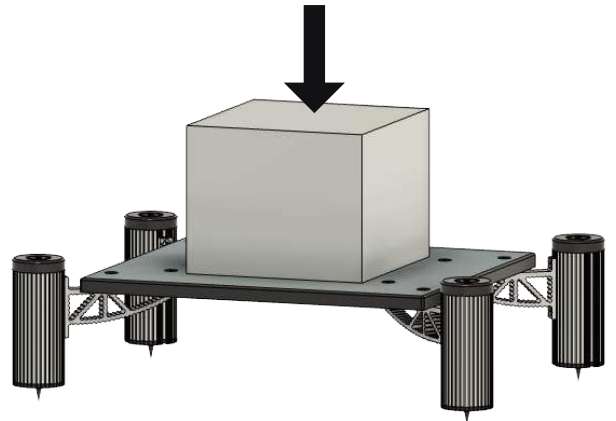
Equipment situated right above the underneath supportive console

max load 180 kg (397lb)



Equipment situated in-between the underneath supportive console

max load 80 kg (176 lb)



Equipment situated on Hybrid top shelf supported by the underneath Hybrid Shelf  
4 Hybrid isolators and 4 Disc of Silence used in below example

max load 180 kg (397lb)



Equipment situated on Hybrid top shelf supported by the underneath Hybrid Shelf  
Non isolated solution in below example

max load 180 kg (397lb)

